



**LB TYPE**



**C TYPE**

- Suitable for wet locations when used with gasketed covers.
- Federal Specification W-C-586D / A-A 50563.
- Suitable for use in hazardous location applications when installed according to NEC Articles 501-4(b), Class I, Div. 2, (Suitable for use in Class I Zone 2 applications) 502-4 & 5, and 503-3.



### FEATURES-SPECIFICATIONS

#### Applications

- Mogul fittings are for use with rigid and IMC raceways
- Use where standard conduit bodies do not provide adequate access and wiring area for the pulling of large and heavy conductors
- For right angle bends where splices, pulls and taps are needed in a weather-proof chamber

#### Features

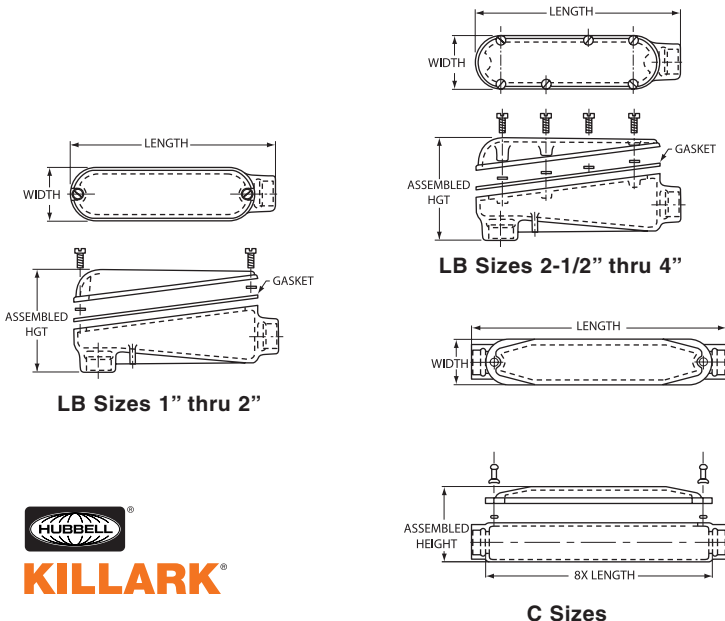
- A raised dome cover permits additional wiring room
- Furnished with captive ss screws and gasket
- LBD, C and UB Series available with built-in cable-pulling rollers on sizes 1-1/2" and larger. Add -WR to catalog number. Example MOLBD-5-WR.

#### Material/Finish

- Cast iron moguls are hot dipped galvanized
- Aluminum moguls are of copper-free aluminum (less than 4/10 of 1%) with electrostatically applied powder coating

LB TYPE MOGUL CONDUIT BODY							
CATALOG NUMBER	KILLARK ALUM.	KILLARK IRON	HUB SIZE	LENGTH	ASSEMBLED HEIGHT	WIDTH	6X LENGTH
MOLBD-1		MOLBD-1M	1/2"	5" (127)	2-5/16" (59)	1-5/16" (33)	3" (76)
MOLBD-2		MOLBD-2M	3/4"	6-1/4" (159)	2-5/8" (67)	1-9/16" (40)	4-1/2" (114)
MOLBD-3		MOLBD-3M	1"	9-5/8" (244)	3-5/8" (92)	2-1/2" (64)	7-1/2" (191)
MOLBD-4		MOLBD-4M	1-1/4"	9-5/8" (244)	3-5/8" (92)	2-1/2" (64)	7-1/2" (191)
MOLBD-5		MOLBD-5M	1-1/2"	14-7/16" (367)	5-5/8" (143)	3" (76)	12" (305)
MOLBD-6		MOLBD-6M	2"	14-7/16" (367)	5-5/8" (143)	3" (76)	12" (305)
MOLBD-7		MOLBD-7M	2-1/2"	22" (559)	7-1/2" (191)	4-1/2" (114)	18" (457)
MOLBD-8		MOLBD-8M	3"	22" (559)	7-1/2" (191)	4-1/2" (114)	18" (457)
MOLBD-9		MOLBD-9M	3-1/2"	28-1/2" (724)	9-1/4" (235)	5-1/2" (140)	24" (610)
MOLBD-0		MOLBD-0M	4"	28-1/2" (724)	9-1/4" (235)	5-1/2" (140)	24" (610)

NOTE - For built-in cable rollers (on sizes 1-1/2" and larger), add -WR to catalog number. Example: MOLBD-5WR.



C TYPE MOGUL CONDUIT BODY							
CATALOG NUMBER	KILLARK ALUM.	KILLARK IRON	HUB SIZE	LENGTH	ASSEMBLED HEIGHT	WIDTH	8X LENGTH
MOC-3		MOC-3M	1"	12" (305)	3" (76)	2-5/8" (67)	10" (254)
MOC-4		MOC-4M	1-1/4"	12-1/16" (306)	3-5/16" (84)	2-5/8" (67)	10" (254)
MOC-5		MOC-5M	1-1/2"	18-1/8" (460)	3-7/8" (98)	3-3/16" (81)	16" (406)
MOC-6		MOC-6M	2"	18-1/16" (459)	4-7/16" (113)	3-3/16" (81)	16" (406)
MOC-7		MOC-7M	2-1/2"	27-1/8" (689)	5-3/16" (132)	4-11/16" (119)	24" (610)
MOC-8		MOC-8M	3"	27-1/4" (692)	5-15/16" (151)	4-11/16" (119)	24" (610)
MOC-9		MOC-9M	3-1/2"	35-3/8" (899)	7-3/16" (183)	5-11/16" (144)	32" (813)
MOL-0		MOC-0M	4"	35-7/16" (900)	7-9/16" (192)	5-11/16" (144)	32" (813)

NOTE - For built-in cable rollers (on sizes 1-1/2" and larger), add -WR to catalog number. Example: MOLBD-5WR.



**KILLARK®**

**MOL SERIES • FITTINGS**  
**IRON AND ALUMINUM MOGUL CONDUIT BODIES**

- Suitable for wet locations when used with gasketed covers.
- Federal Specification W-C-586D / A-A 50563.
- Suitable for use in hazardous location applications when installed according to NEC Articles 501-4(b), Class I, Div. 2, (Suitable for use in Class I Zone 2 applications) 502-4 & 5, and 503-3.

 Listed

 Certified



**T TYPE**

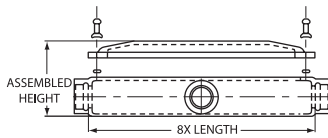
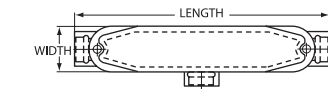


**UB TYPE**

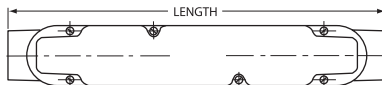
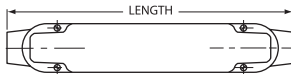
**FEATURES-SPECIFICATIONS**

See page F24 for Standard Materials & Finish

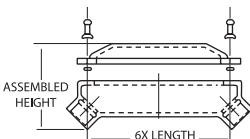
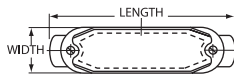
**Dimensions**



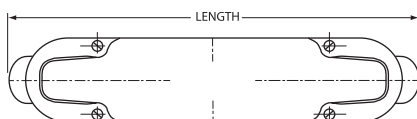
**T Sizes 1" thru 2"**



**T Sizes 2-1/2" thru 4"**



**UB Sizes 1" thru 2"**



**UB Sizes 2-1/2" thru 4"**

T TYPE							
CATALOG NUMBER	KILLARK ALUM.	KILLARK IRON	HUB SIZE	LENGTH	ASSEMBLED HEIGHT	WIDTH	8X LENGTH
MOT-3		MOT-3M	1"	12" (305)	3" (76)	2-5/8" (67)	10" (254)
MOT-4		MOT-4M	1-1/4"	12-1/16" (306)	3-5/16" (84)	2-5/8" (67)	10" (254)
MOT-5		MOT-5M	1-1/2"	18-1/8" (460)	3-7/8" (98)	3-3/16" (81)	16" (406)
MOT-6		MOT-6M	2"	18-1/16" (459)	4-7/16" (113)	3-3/16" (81)	16" (406)
MOT-7		MOT-7M	2-1/2"	27-1/8" (689)	5-3/16" (132)	4-11/16" (119)	24" (610)
MOT-8		MOT-8M	3"	27-1/4" (692)	5-15/16" (151)	4-11/16" (119)	24" (610)
MOT-9		MOT-9M	3-1/2"	35-3/8" (899)	7-3/16" (183)	5-11/16" (144)	32" (813)
MOT-0		MOT-0M	4"	35-7/16" (900)	7-9/16" (192)	5-11/16" (144)	32" (813)

UB TYPE							
CATALOG NUMBER	KILLARK ALUM.	KILLARK IRON	HUB SIZE	LENGTH	ASSEMBLED HEIGHT	WIDTH	8X LENGTH
MOUB-3		MOUB-3M	1"	10-7/16" (265)	3-7/8" (98)	2-5/8" (67)	7-1/2" (191)
MOUB-4		MOUB-4M	1-1/4"	10-7/16" (265)	4-3/16" (106)	2-5/8" (67)	7-1/2" (191)
MOUB-5		MOUB-5M	1-1/2"	15-9/16" (395)	5-1/8" (130)	3-3/16" (81)	12" (305)
MOUB-6		MOUB-6M	2"	15-9/16" (395)	5-3/4" (146)	3-3/16" (81)	12" (305)
MOUB-7		MOUB-7M	2-1/2"	23-1/16" (586)	8-1/2" (216)	4-11/16" (119)	18" (457)
MOUB-8		MOUB-8M	3"	23-5/16" (668)	8-1/2" (216)	4-11/16" (119)	18" (457)
MOUB-9		MOUB-9M	3-1/2"	30" (762)	10-3/8" (264)	5-11/16" (144)	24" (610)
MOUB-0		MOUB-0M	4"	30" (762)	10-3/8" (264)	5-11/16" (144)	24" (610)

NOTE - For built-in cable rollers (on sizes 1-1/2" and larger), add -WR to catalog number. Example: MOLBD-5WR.



MOLB-4



MOLB-5 thru 0



MOLB-6CG



MLB-12

- Suitable for wet locations when used with gasketed covers.
- Federal Specification W-C-586D / A-A 50563.
- Suitable for use in hazardous location applications when installed according to NEC Articles 501-4(b), Class I, Div. 2, (Suitable for use in Class I Zone 2 applications) 502-4 & 5, and 503-3.

Listed - File E3397

Certified - File LR11852

**FEATURES-SPECIFICATIONS**

**Applications**

- Mogul fittings are normally used where the standard "O" Series conduit bodies do not offer a sufficient amount of wiring room
- For right angle bends where splices, pulls and taps are needed in a weather-proof chamber

**Features**

- A raised dome cover provides additional wiring room
- Furnished with cover and gasket

**Material/Finish**

**Copper-free Aluminum**  
(less than 4/10 of 1%)

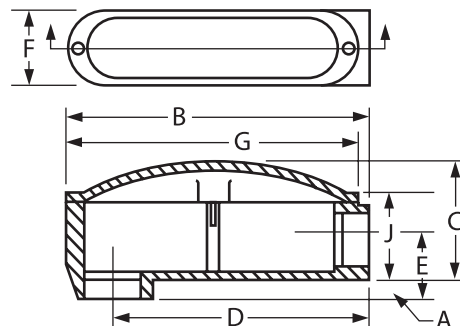
- Electrostatically applied powder coating

MOL CONDUIT BODIES									
CATALOG NUMBER	CONDUIT SIZE	DIMENSIONS							
		A	B	C	D	E	F	G	J
MOLB-4*	1-1/4"	5/16" (8)	9-3/4" (248)	2-3/4" (70)	8-1/2" (445)	1" (25)	2-3/8" (60)	9-1/8" (232)	2-3/4" (70)
MOLB-5	1-1/2"	1-5/16" (33)	13-3/16" (335)	4-3/4" (121)	11-1/2" (292)	2-3/8" (60)	3-1/8" (79)	12-7/8" (327)	3-3/8" (86)
MOLB-6	2"	1-1/16" (27)	13-3/16" (335)	4-1/4" (108)	11-1/2" (292)	2-1/2" (64)	3-1/8" (79)	12-7/8" (327)	3-3/8" (86)
MOLB-6CG*	2"	1/16" (2)	14-1/2" (368)	5-3/4" (146)	13" (330)	1-3/8" (35)	3" (76)	14-1/8" (359)	3-5/16" (84)
MOLB-7	2-1/2"	1-13/16" (46)	22-5/8" (575)	6-1/4" (159)	20" (508)	3-15/16" (100)	4-7/16" (113)	21-13/16" (554)	4-7/16" (113)
MOLB-8	3"	1-13/16" (46)	22-5/8" (575)	6-1/4" (169)	20" (508)	3-15/16" (100)	4-7/16" (113)	21-13/16" (554)	4-7/16" (113)
MOLB-9	3-1/2"	1-9/16" (40)	28-11/16" (729)	7-7/8" (200)	25-9/16" (649)	4-3/16" (106)	5-1/2" (140)	28-5/16" (719)	5-1/2" (140)
MOLB-0	4"	1-9/16" (40)	28-11/16" (729)	7-7/8" (200)	25-7/16" (646)	4-3/16" (106)	5-1/2" (140)	28-5/16" (719)	5-1/2" (140)
MLB-12*	5"	2-3/8" (68)	43-1/4" (1099)	12-1/4" (311)	38-5/8" (981)	6-1/4" (159)	9" (229)	42-1/2" (1080)	8-11/16" (221)

\*Split cover design

MOL BLANK REPLACEMENT COVERS AND GASKETS	
CATALOG NUMBER	BODY STYLE
MOL-450	1-1/4"
MOL-560	1-1/2" & 2"
MOL-6CG	2"
MOL-780	2-1/2" & 3"
MOL-900	3-1/2" & 4"

**Dimensions**





**NECLB-6**

- Suitable for wet locations when used with gasketed covers.
- Federal Specification W-C-586D / A-A 50563.
- Suitable for use in hazardous location applications when installed according to NEC Articles 501-4(b), Class I, Div. 2, (Suitable for use in Class I Zone 2 applications) 502-4 & 5, and 503-3.

 Listed - File E3397

See files for details or call Killark.

**FEATURES-SPECIFICATIONS**

**Applications**

- Specially designed to meet National Electrical Code Article 370-28(a) (2) for angle pulls where the distance between the raceway entry and the opposite wall of the fitting must be at least six times the trade diameter of the raceway.

- A pull box with easy access to conductors
- A chamber with a large opening for easy access to perform changes in the conduit system
- For 90° bends in a conduit system
- Includes cover and gasket

**Features**

Large cover opening (length of opening exceeds six times the trade diameter of the hub size) for easy access to conductors. Cover and gasket included

**Material/Finish**

**Copper-free Aluminum**  
 (less than 4/10 of 1%)

- Electrostatically applied powder coating

**F**

NECLB CONDUIT BODIES												
CATALOG NUMBER	REPLACEMENT COVER AND GASKET	HUB SIZE	A	B	C	D	E	F	G	H	J	K
NECLB-3	NECLB-30	1"	8-1/8"	3-7/16"	2"	11-9/32"	6"	2"	1-1/8"	3-1/8"	7"	1 NPT
NECLB-4	NECLB-40	1-1/4"	9-7/8"	4-1/16"	2-3/8"	11-5/16"	7-1/2"	2-1/2"	1-3/16"	3-11/16"	8-5/8"	1-1/4 NPT
NECLB-5	NECLB-50	1-1/2"	11-17/32"	5-1/16"	2-3/4"	2-3/16"	9"	3-1/2"	1-3/16"	4-11/16"	10-5/8"	1-1/2 NPT
NECLB-6	NECLB-60	2"	14-25/32"	6-3/16"	3"	2-11/16"	12"	4"	1-3/16"	5-3/16"	13-11/16"	2 NPT

**Dimensions**

