



## 120V AC/DC Wire-in Low Profile Smoke Alarm

Model KN-SMFM-i *Flush Mount*

- Innovative low profile alarm design
- Ionization Sensing Technology
- One button design (operates Smart Hush™ and test)
- Mounts flush with ceiling
- Sealed rechargeable battery backup (included)
- Alarm memory
- Pre-stripped wiring harness with tinned strands



### Description

The Kidde Silhouette is a low profile AC/DC powered, ionization smoke alarm that operates on a 120V power source with a sealed rechargeable battery backup.

This alarm uses ionization sensing technology. Ionization sensing alarms may detect invisible fire particles (associated with flaming fires) sooner than photoelectric alarms. Photoelectric sensing alarms may detect visible particles (associated with smoldering fires) sooner than ionization alarms.

This smoke alarm is available in a 4-piece cut case with tray for easy display. This unit is a UL Listed product with a 10-year limited warranty.



### Install Confidence

#### Easy Installation

- Innovative low profile alarm fits in most common electrical 2-gang and plastic, round boxes with 3 1/2" hole spacing.
- Pre-stripped wiring harness with easy off cap does not require stripper tool. Tinned strands increase conductivity and wire nut grip.

#### Fewer Callbacks

- One button design for easy operation and less confusion. Operates Smart Hush™ and alarm test.
- Sealed rechargeable battery does not need to be replaced for the life of the alarm.

#### User-Friendly Features

- Battery backup provides protection in case of power failure.
- Alarm memory flashes red LED indicating which unit was the initiating alarm in interconnected system.
- Interconnectable with up to 24 devices (of which 18 can be initiating) including smoke, CO and heat alarms. See user's guide for complete instructions.

# silhouette

## Architectural and Engineering Specifications

The smoke alarm shall be Kidde model KN-SMFM-i or approved equal. It shall be powered by a 120VAC, 60Hz source along with a 10 year rechargeable battery backup. The unit shall incorporate an ionization sensor with nominal sensitivity of .50 to .98%ft. The temperature operation range shall be between 40°F and 100°F (4.4°C and 37.8°C) and the humidity operating range shall be up to 85% relative humidity.

The smoke alarm can be installed in standard junction boxes listed below. The electrical connection (to the alarm) shall be made with a plug-in connector. A maximum of 24 Kidde devices can be interconnected in a multiple station arrangement. The interconnect system must not exceed the NFPA (National Fire Protection Association) limit of 18 initiation devices, of which 12 can be smoke alarms. With 18 initiating devices (smoke, heat, CO, etc.), interconnected, it is still possible to interconnect 6 strobe lights and or relay modules. The unit shall provide optional tamper resistance that deters removal of the unit from the wall or ceiling.

The alarm shall include a test button that will electronically simulate the presence of smoke and cause the unit to go into alarm. This sequence tests the unit's electronics, battery and horn to ensure proper operation.

The unit shall include a piezoelectric horn that is rated at 85 decibels at 10 feet. The unit shall include Smart Hush™ feature that silences the unit for approximately 7 minutes if a nuisance condition occurs. The unit shall also include a low battery warning utilizing a brief alarm chirp every 30-40 seconds for a minimum of seven (7) days.

The unit shall incorporate red and green LED indicators. The green LED (when illuminated) indicates the presence of AC power. The red LED (located under the TEST/Hush button) has **four modes of operation**:

**Standby Condition:** The red LED will flash every 30-40 seconds to indicate that the smoke alarm is operating properly. **Alarm Condition:** When the alarm senses products of combustion and goes into alarm the red LED will flash one flash per second. The flashing LED and pulsating alarm will continue until the air is cleared. When units are interconnected, only the red LED of the alarm that senses the smoke or is being tested (the originating unit) will flash. All other units in the interconnected system will sound an alarm but their red LED's will NOT flash. **Alarm Memory:** This smoke alarm is equipped with an alarm memory, which provides a visual indication when an alarm has been activated. The red LED will illuminate for about 1.5 seconds every 16 seconds to indicate the memory condition. **Smart Hush™ Mode:** The red LED will illuminate for 1.5 seconds every 8 seconds, indicating the smoke alarm is in the Smart Hush™ Mode.

The unit shall at a minimum meet the requirements of UL217, NFPA72, (chapter 11), The State of California Fire Marshall, NFPA 101 (One and two family dwellings) Federal Housing Authority (FHA), Housing and Urban Development (HUD). It shall also include a 10-year manufacturer's limited warranty.

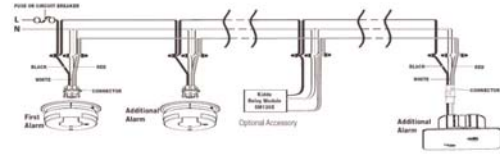
## Install Options

**Square Box    Octagon Box    Round Box    2 Gang Box**



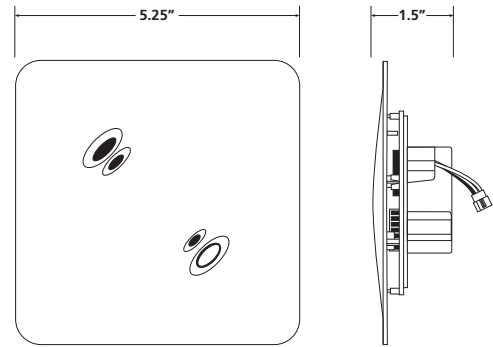
## Installation of Smoke Alarm

The smoke alarm must be installed to comply with all local codes having jurisdiction in your area. All wiring shall be in accordance with articles 210 and 300.3(B) of the US National Electrical Code, ANSI / NFPA 70 and NFPA 72. The multiple station interconnect wiring must be in the same raceway as the AC power wiring. In addition the resistance if the interconnect wiring shall be a maximum of 10 ohms. Make certain all alarms are wired to a single, continuous (non-switched) power line, which is not protected by a ground fault interrupter. A maximum of 1000 ft. of wire can be used in the interconnect system. Use standard UL listed household wire as required by code.



## Technical Specifications

Model Number:	KN-SMFM-i
UPC:	0-47871-07288-0
Power Source:	120VAC (80mA) with Battery Back Up
Sensor:	Ionization
Audio Alarm:	85dB at 10ft
Temperature Range:	40°F (4.4°C) to 100°F (37.8°C)
Humidity Range:	85% relative humidity (RH)
Size:	5.6" in diameter x 1.55" depth
Weight:	.51lb
Interconnects:	Up to 24 Kidde devices
Wiring:	Quick-connect plug with 6" pigtailed
LED:	Red, 4 modes of operation Green, indicates AC power
Warranty:	10 year limited



## Ordering Information

Ordering Number	UPC	I2F5	Pack Quantity	Dimensions (w x d x h inches)	Weight	Case/Skid	Layers/Skid	Skid Weight
21007288	0-47871-07288-0	100-47871-07288-7	Cut Case (4 units)	6.5 x 13.25 x 6	3 lbs	147	7	441 lbs

\*Not for sale by individual unit  
 \*\*Includes Wiring Adapters



1016 Corporate Park Drive, Mebane NC 27302  
 1-800-880-6788 • www.kidde.com

**Represented by:**



2901 Louisiana Ave N  
 Minneapolis, MN 55427  
 (763) 542-8242

5405 North 118<sup>th</sup> Court  
 Milwaukee, WI 53225  
 (414) 393-1428