



# Silhouette 120V AC Wire-in Low Profile Carbon Monoxide Alarm with Lithium-Ion Rechargeable Battery Backup

• Part Number 900-0232 • Model KN-COPF-i

## Maintenance Free

Sealed Lithium-Ion Rechargeable Battery Backup  
7-year product life (40% longer than other CO alarms)

## User-Friendly

Visible written instructions  
Three instructional LEDs  
Blue Digital LCD Display

## Reliable Product

UL 2034 Listed  
Seven year limited warranty

**40% LONGER LIFE THAN  
OTHER CO ALARMS**



## Description

The Kidde Silhouette Carbon Monoxide Alarm is a low profile AC/DC powered unit that operates on a 120V power source. The sealed in rechargeable battery backup lasts the 7-year life of the alarm to provide a maintenance free design.

This alarm uses advanced electrochemical CO sensing technology, providing reliable protection against the dangers of carbon monoxide. The battery backup feature provides continuous monitoring of CO levels, even during power outages when AC-only units do not provide protection. This unit will interconnect with other Kidde CO and smoke alarms to provide the earliest warning of a CO or fire hazard. The Digital Display feature allows for easy viewing of carbon monoxide levels from 30-999PPM (parts per million).

This CO alarm is available in a 6-piece cut case with tray for easy display. The Silhouette CO is a UL Listed product with a 7-year limited warranty.



**silhouette**

Engineered to protect. Designed to disappear.

## Install Confidence

### Easy Installation

- Innovative low profile alarm fits in most standard 2-gang, metal or plastic electrical boxes.
- Pre-stripped wiring harness includes easy-off cap and does not require a stripping tool. Tinned strands increase conductivity and wire nut grip.
- Rechargeable battery is turned on automatically when AC power is supplied. (allow unit to charge for 24 hours on initial power up)

### Fewer Callbacks

- Test/reset button tests CO alarm circuit operation, and allows you to immediately silence the alarm.
- Peak level memory button displays the highest CO level measured since the last reset
- Sealed battery does not need to be replaced for the life of the alarm.

### User-Friendly Features

- Green LED indicates power is being delivered to the alarm. Red LED light indicates unit is in alarm. Amber LED light indicates unit is the initiating alarm.
- Battery backup provides protection in case of power failure.
- Interconnectable with up to 24 devices (of which 18 can be initiating) including smoke, CO and heat alarms. See user's guide for complete instructions.
- Digital Display – Displays the level of carbon monoxide the unit is sensing. The unit updates this reading every 15 seconds.
- Peak Level button displays the peak CO level recorded by the alarm since it was last reset or unplugged
- Lithium-Ion Rechargeable Battery Back-up provides protection during power outages.
- 7-Year End of Life Warning – Alerts user to replace CO alarm after 7-years of operation (40% longer than other CO alarms).

## Architectural and Engineering Specifications

The carbon monoxide alarm shall be Kidde Model KN-COPF-i or approved equal. It shall be powered by 120VAC, 60Hz source and include a sealed in, rechargeable, lithium-ion rechargeable battery back-up. The temperature operating range shall be between 40°F and 100°F (4°C and 38°C) and the humidity operating range shall be up to 85% relative humidity (RH)

The unit's CO sensor shall be electrochemical and shall meet the sensitivity requirements of Underwriters Laboratories UL2034 Single and Multiple Station Carbon Monoxide Alarms. The unit shall provide accuracy of +/-20% + 15 parts per million (ppm) when reading CO concentration levels .

The alarm can be installed on the surface of any wall following the UL/NFPA/Manufacturer's recommended placement guidelines. The alarm can be installed in most standard 2-gang, metal or plastic electrical boxes.

A maximum of 24 Kidde devices can be interconnected in a multiple station arrangement. The interconnect system must not exceed the NFPA (National Fire Protection Association) limit of 18 initiating devices, of which 12 can be smoke alarms. With 18 initiating devices (smoke, heat, CO, etc), interconnected, it is still possible to interconnect 6 strobe lights and or relay modules.

The unit shall incorporate a digital display that meets the sensitivity requirements of UL 2034. The display will identify the levels of CO in parts per million (ppm) once that level reaches 30ppm (i.e.: "abnormal" levels).

The alarm shall include a test button that will electronically simulate the presence of CO and cause the unit to alarm. This sequence tests the unit's electronics and horn to ensure proper operation. In accordance with UL 2034 with requirements, the CO sensor will not alarm to levels of CO below 30 ppm and will alarm in the following time range when exposed to the corresponding levels of CO.

- 70 ppm CO Concentration 60 – 240 minutes
- 150 ppm CO Concentration 10 – 50 minutes
- 400 ppm CO Concentration 4 – 15 minutes

The alarm shall utilize a piezoelectric horn that is rated at 85 decibels at 10 feet. When the unit detects carbon monoxide, the alarm pattern will be four (4) short beeps - followed by five (5) seconds of silence - followed by four (4) short beeps. The unit shall incorporate an "Intelligent Interconnect" feature that allows it to respond to a smoke incident when interconnected with smoke alarms. During a smoke incident, the horn will sound in the required, repetitive manner for a smoke alarm – three (3) beeps, a pause, three (3) beeps, a pause. The digital display will also scroll the word "Fire" across the display. The unit shall incorporate 3

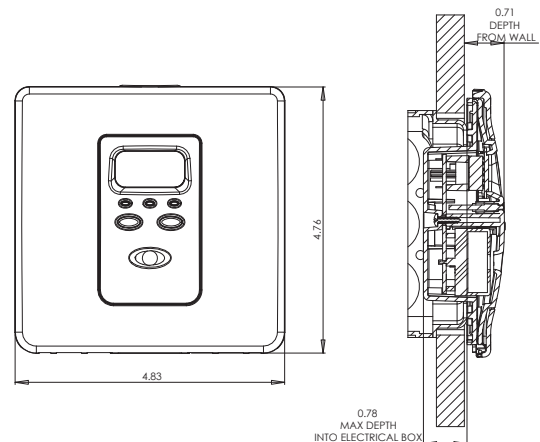
LED's. A green LED will be steady on when AC power is present. A red LED will flash in unison with the sounder pattern for both a smoke or CO incident, or an error condition. The amber LED will illuminate if that unit is the originating alarm in a CO incident.

The unit shall include a peak level memory feature that will store the peak CO level sensed since the unit was last reset. The peak CO level stored in the unit's memory shall be displayed (in ppm) on the digital display by pressing the appropriate button on the unit. The memory shall also be capable of being reset.

The unit shall be Listed to UL 2034. It shall also include a 7-year manufacturer's limited warranty.

## Technical Specifications

Part Number:	900-0232
Model:	KN-COPF-i
Power Source:	120VAC, 60HZ, 60mA max Sealed-in, rechargeable, lithium-ion battery back-up
Sensor:	Electrochemical
Audio Alarm:	85dB at 10ft
Temperature Range:	40°F (4.4°C) to 100°F (37.8°C)
Humidity Range:	up to 85% relative humidity (RH)
Size:	4.83" x 4.76" x 1.49 "
Weight:	.62 lbs with battery
Wiring:	Quick connect plug with 8" pigtails
Interconnects:	Yes
Warranty:	7 year limited



## Ordering Information

Gift Box UPC: 0-47871-07426-6

Part Number	I 2 of 5	Pack Quantity	Dimensions (w x d x h inches)	Weight	Case/ Skid	Skid Weight
900-0232**	N/A	Individual (Box)	5 x 12 x 5	1 lb.	N/A	N/A
21007426	100-47871-07426-3	Cutcase (6 units)	5.25 X 12.5 X 5.25	7lbs	196	1,372 lbs.

\*\*Not for sale by individual unit



1016 Corporate Park Drive  
Mebane NC 27302  
1-800-880-6788  
www.kidde.com

Distributed by: